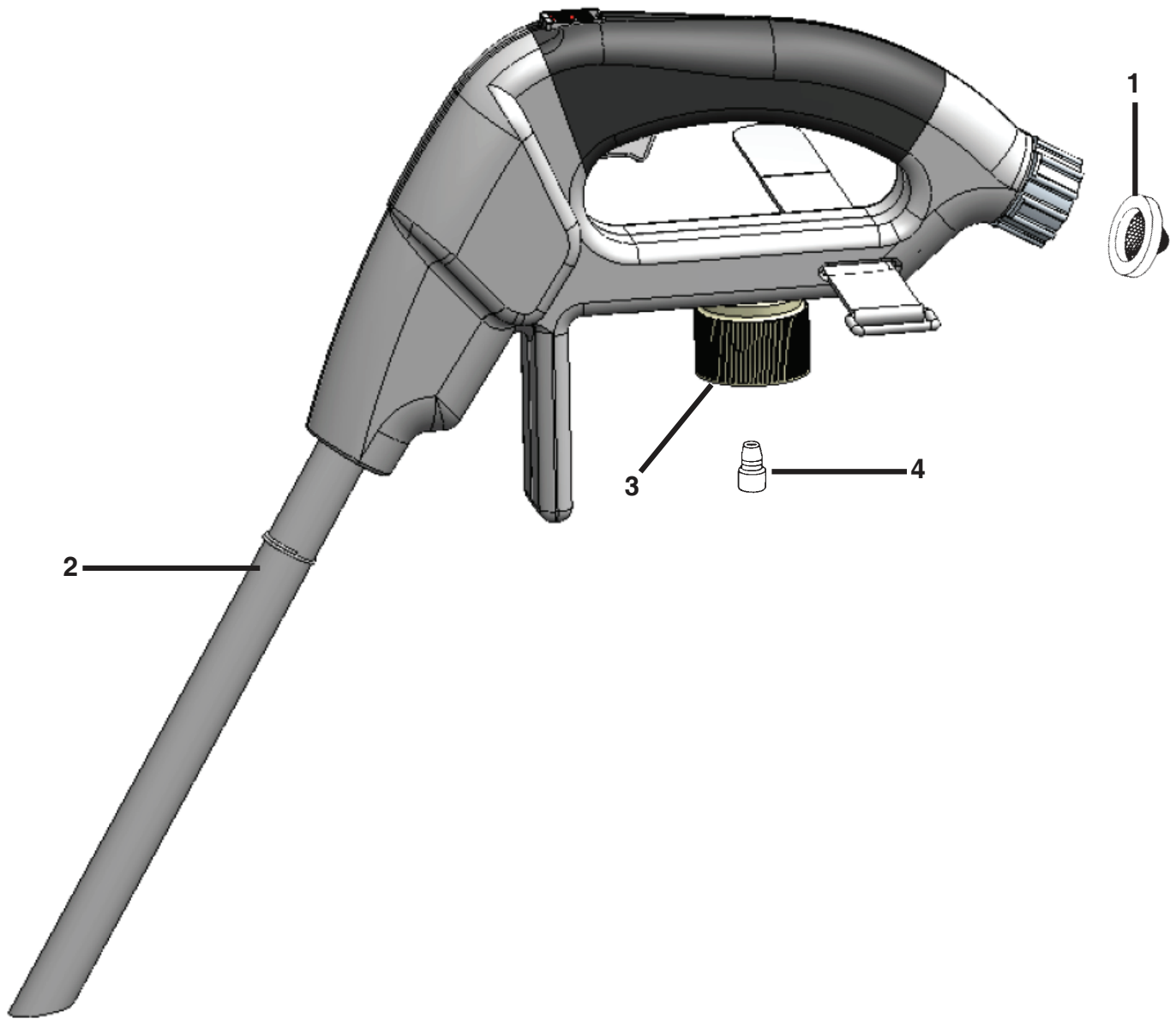


Parts Diagram List:



Key	Part No.	Description
1	238100	Strainer washer
2	90090232	Discharge tube, 10"
3	10092195	Kit, cap replacement, Rite-Connect
4	690014	Metering tip kit

## TROUBLESHOOTING CHART:

Problem	Cause	Solution
1. No discharge	<ul style="list-style-type: none"> <li>a. No water</li> <li>b. Ball valve not open</li> <li>c. Eductor clogged</li> </ul>	<ul style="list-style-type: none"> <li>a. Open water supply</li> <li>b. Open ball valve</li> <li>c. Clean or replace</li> </ul>
2. No concentrate draw	<ul style="list-style-type: none"> <li>a. Metering tip or eductor has scale build-up</li> <li>b. Low water pressure</li> <li>c. Discharge tube and/or ooding ring not in place (high ow only)</li> <li>d. Air leak at bottle/cap connection</li> </ul>	<ul style="list-style-type: none"> <li>a. Clean (descale)* or replace</li> <li>b. Minimum 25 PSI (with water running) required to operate unit properly</li> <li>c. Push tube rmly onto eductor discharge hose barb, or replace tube if it doesn't have a ooding ring</li> <li>d. Clean or replace cap</li> </ul>
3. Excess concentrate draw	<ul style="list-style-type: none"> <li>a. Metering tip not in place</li> </ul>	<ul style="list-style-type: none"> <li>a. Press correct tip rmly into barb on pick-up stem</li> </ul>
4. Failure of unit to turn off	<ul style="list-style-type: none"> <li>a. Faulty ball valve</li> </ul>	<ul style="list-style-type: none"> <li>a. Clean* or replace ball valve</li> </ul>
5. Excess foaming in	<ul style="list-style-type: none"> <li>a. Air leak at bottle/cap connection</li> </ul>	<ul style="list-style-type: none"> <li>a. Clean or replace cap</li> </ul>



A **DOVER** COMPANY