

FS

FOOD SERVICE SANITATION PACKAGING SYSTEMS

SYSTEM ONE: 2½-Gallon Container

Packaging

- Closed system valve and draw tube design eliminates chemical contact with user.
- Unique design of inner draw tubes allows for nearly 100% evacuation of chemical.
- 2.5-gallon container is made of translucent polyethylene for easy monitoring of chemical level.
- Ships as a 2 X 2.5-gallon unit.
- Each unit is decorated with easily-identified number/color-coded front and side panel labels.

Wall Rack

- Holds one 2.5-gallon container.
- Wire design does not harbor water or bacteria and makes clean-up easy.
- Made of corrosion-resistant epoxy-coated heavy gauge wire.
- Mounts to any flat surface (includes mounting hardware).
- Code #EQBIBRAK2.5



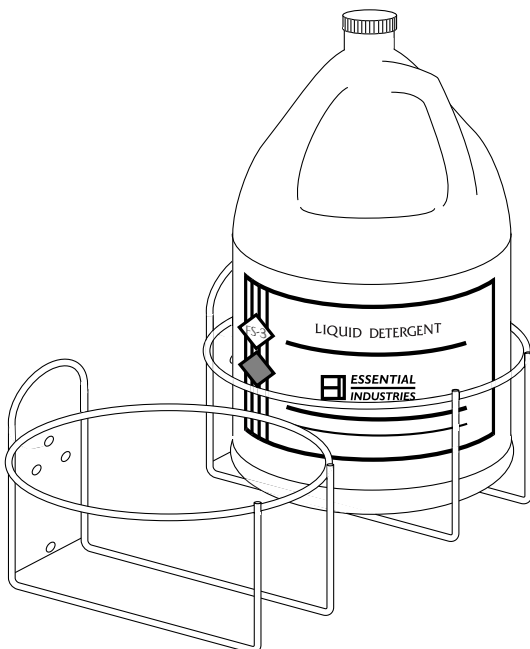
SYSTEM TWO: 1-Gallon Container

Packaging

- Available in white or natural (see-through) gallons.
- Available with one-color or two-color silk-screening.
- All bottles are made of heavy-duty 125 gram high-density polyethylene.

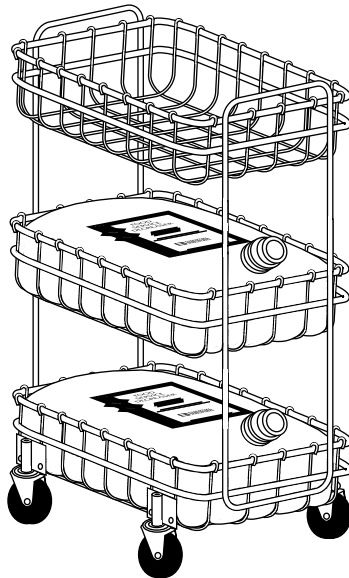
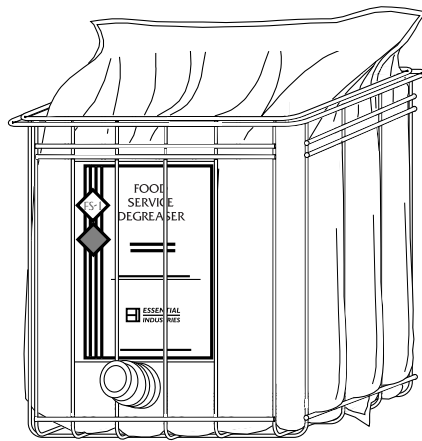
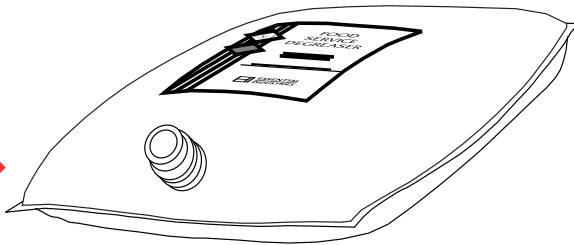
Gallon Wall Rack

- Holds one 1-gallon container.
- Epoxy-coated wire will not corrode.
- Wire design does not harbor water or bacteria and makes clean-up easy.
- Mounts to any flat surface (mounting hardware included).
- Code #EQSCGALRACK



FS

SYSTEM THREE: 2 1/2-Gallon Pouch



Packaging

- Closed system valve design eliminates chemical contact with user.
- See-through pouch allows for easy monitoring of chemical level.
- Unique design of inner draw tubes allows for 100% evacuation of chemical.
- Made of a tough, two-layer nylon / low density polyethylene plastic.
- Ideally suited for wet environments.
- Pouches stickered with an easy-to-read, water-resistant label.
- Ships in an overpack with two pouches per case - less waste.

Pouch Wall Rack

- Holds one 2.5-gallon pouch.
- Wire design does not harbor water or bacteria and makes clean-up easy.
- Ideally suited for wet environments.
- Two-sided mounts allow for narrow or wide installation (includes mounting hardware).
- Made of corrosion-resistant epoxy-coated heavy gauge wire.
- Code #EQBIBWMRAK

Three-Compartment Mobile Rack

- Holds three 2.5-gallon pouches or two pouches and accessories.
- Wire design does not harbor water or bacteria and makes clean-up easy.
- Ideally suited for wet environments.
- Wheels under triple-sink for hidden storage.
- Keeps product off the floor.
- Wheels away from sink for easy access and cleaning.
- Made of corrosion-resistant epoxy-coated heavy gauge wire.
- Code #EQFS3BSKTRK