

## PRIMARY FEATURES

### SAFETY

- Cabinets lock shut to prevent unauthorized access
- Color-coded containers, secondary labels and literature increase safety and make training easy
- All System 2000 products are formulated with the environment and user safety in mind
- Unique bottle design eliminates chance of accidental contact with products



Cabinet locks for safety

### SAVINGS

- System 2000™ products are super concentrated – up to 90% savings over ready-to-use aerosol and pre-packaged quart products
- Accurate dilution of super concentrates increases savings compared to standard products
- Inventory, shelf space, freight costs and packaging waste are reduced



One 1900 ml bottle of Restroom Cleaner super concentrate makes 40 ready-to-use quarts

### EASE OF USE

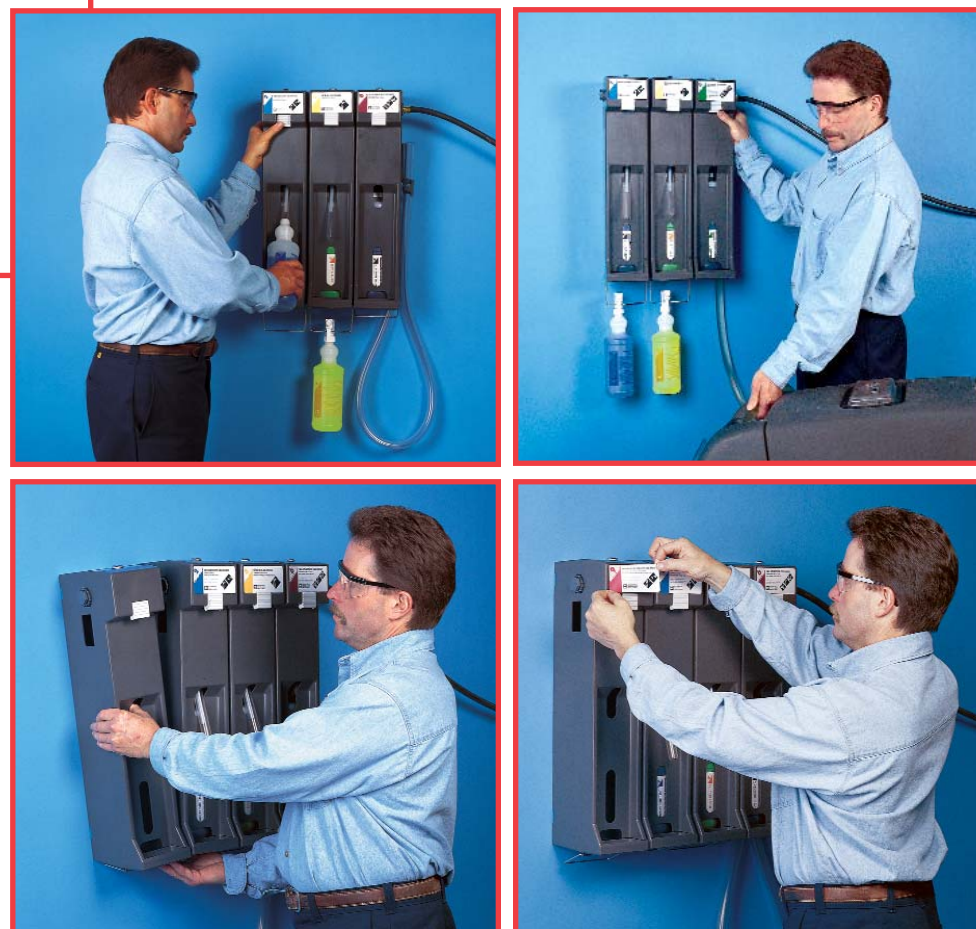
- Easy-to-understand trilingual (English, Spanish and French) directions on concentrates and secondary labels
- Push-button accuracy for easy diluting at all times
- 1900 ml bottles are easy to handle and store, thereby eliminating lifting of heavy containers
- View finder allows user to monitor chemical level



Color and number-coded system throughout

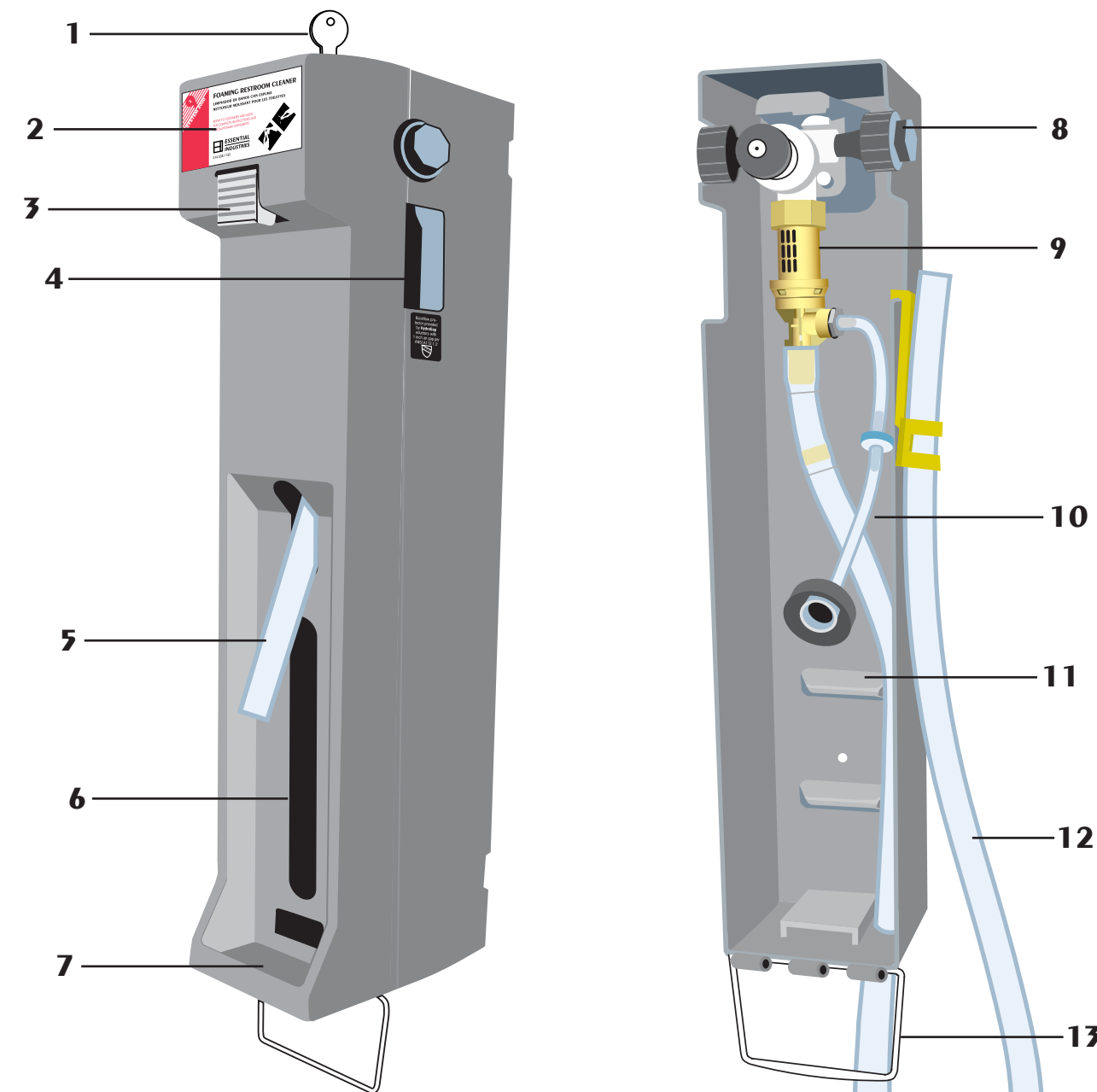
### ADAPTABILITY

- Wall-mount systems save space – no special racks are required
- Modular units are easily connected together
- Right or left water connection makes installation simple
- Dilution ratios can be easily field changed to match soil level



System 2000 is adaptable to numerous uses and configurations

## CABINET FEATURES



- 1. LOCK AND KEY**  
Cabinet locks for safety.
- 2. LABEL PANEL**  
Color-coded labeling matches literature, secondary labels and chemicals.
- 3. ON/OFF BUTTON**  
Push-button control for 1 GPM unit. Locks down for 4 GPM.
- 4. CERTIFICATION SEAL**  
All units ANSI-certified.
- 5. DISCHARGE TUBE - 1 GPM**  
For filling spray bottles.
- 6. VIEWING WINDOW**  
Allows monitoring of chemical level in container.
- 7. DRIP TRAY**  
Keeps drainage off the floor.
- 8. WATER INLETS**  
Right or left connections.
- 9. E-GAP EDUCTOR**  
Prevents chemical from entering water supply.
- 10. CHEMICAL INLET TUBE**  
Easy to attach, no spill system.
- 11. BOTTLE KEYS**  
Seats 1900 ml bottle snugly into cabinet.
- 12. DISCHARGE TUBE - 4 GPM**  
For filling buckets and scrubbers. Hooks neatly on side of cabinet when not in use.
- 13. BOTTLE HANGER**  
For convenient storage of spray bottles.



## SPECIAL FEATURES

### ADVANCED E-GAP

- Reliable state-of-the-art E-gap eductors
  - Eliminates foam and splashing
- Very low maintenance - liming and scaling are virtually eliminated
- Manufactured to ASSE Standard 1055B. Carries international and domestic certification



E-gap prevents chemical backflow from entering water supply

### CLOSED-LOOP

- Unique closed-loop design is the ultimate safety feature preventing all accidental contact with chemical
- System is activated by simply screwing cap onto concentrate
- New draw tube included with every bottle. Assures reliable product delivery every time



1900 ml bottles are easily installed and removed

### CONSISTENT DILUTION

- Revolutionary internal component in 1 GPM units provides uniform dilution at all water pressures
- Uniform dilution ensures consistent product performance
- No costly external regulator required



System 2000™ outperforms the competition

## SYSTEM 2000™ CHEMICALS

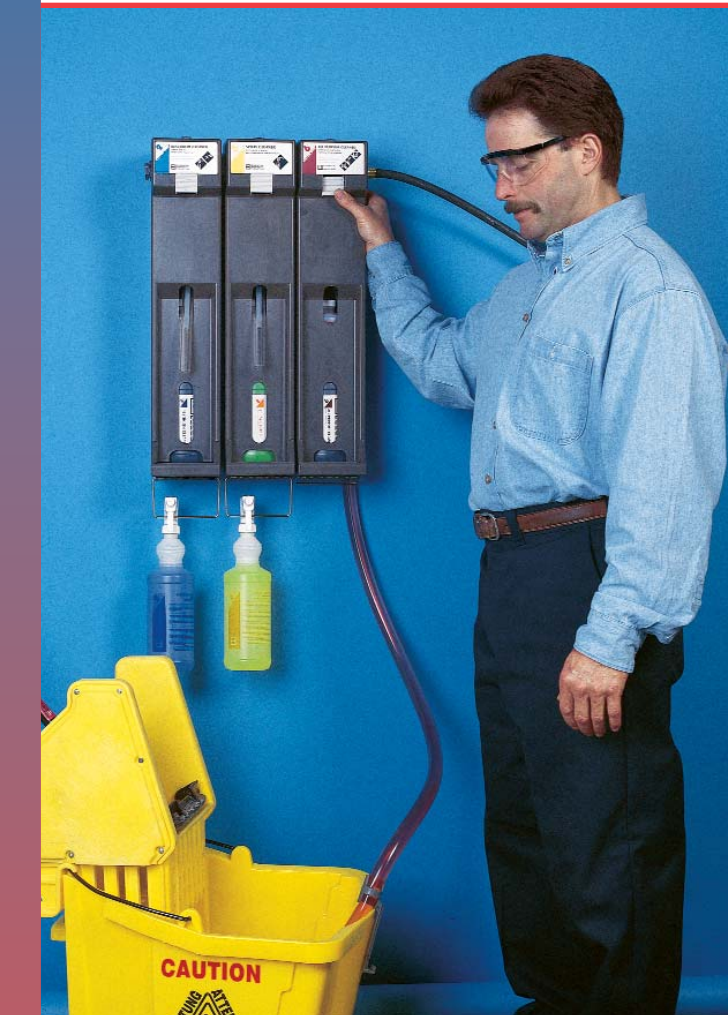
NUMBER	REORDER NUMBER	NAME	DESCRIPTION	TIP COLOR	DILUTION RATE
1	256	QUAT 256	Hospital-grade detergent and disinfectant for all hard surfaces.	1 GPM: Light Gray 4 GPM: Purple	1:256
2	2201	RESTROOM CLEANER	Non-acid bathroom cleaner. Removes all restroom soils.	1 GPM: Brown	1:19
3	2203	GLASS CLEANER	For all water-washable surfaces.	1 GPM: Dark Blue	1:25
4	2206	NEUTRAL CLEANER	pH7 no-rinse cleaner. UL-classified as to slip resistance.	1 GPM: Light Gray 4 GPM: Purple	1:256
5	2210	NON-BUTYL DEGREASER	Powerful, non-butyl degreaser. Non-corrosive to soft metals.	1 GPM: Black 4 GPM: Brown	1:128
6	2205	ALL PURPOSE CLEANER	All purpose detergent - for mop, brush, sponge and automatic-scrubbers. Low foam formula. UL-classified as to slip resistance.	1 GPM: Pink 4 GPM: Aqua	1:128
7	2319	RESTROOM CLEANER AND DISINFECTANT	Cleans, disinfects and deodorizes all restrooms.	1 GPM: Dark Gray 4 GPM: Orange	1:64
8	2204	HEAVY DUTY SPRAY CLEANER	Powerful, non-butyl spray and wipe cleaner.	1 GPM: Brown	1:19
9	605	FOAMING RESTROOM CLEANER	Clinging acid formula cleans and deodorizes all restroom surfaces.	1 GPM: Tan 1 GPM: Brown 1 GPM: Aqua	1:10 1:20 1:40
10	705	NEUTRAL GERMICIDAL CLEANER	Neutral disinfectant cleaner for all hard surfaces and finished floors. UL-classified as to slip resistance.	1 GPM: Pink 4 GPM: Aqua	1:128
11	425	CITRUS SCRUB 'N SHINE	High speed cleaner and restorer for auto-scrubber or mop-on use. UL-classified as to slip resistance.	4 GPM: Tan 4 GPM: Dark Gray	1:64 1:320
12	2224	GLASS & SURFACE CLEANER	All surface, heavy-duty spray cleaner. Quick-drying, streak-free formula.	1 GPM: Aqua	1:32
13	2215	ODOR COUNTERACTANTS	Smoke Out and Potpourri Odor Counteractants.	1 GPM: Aqua	1:32
14	2216	ODOR COUNTERACTANTS	Smoke Out and Potpourri Odor Counteractants.	4 GPM: Tan	1:32
15	2220	EXTRACTION CLEANER	Heavy-duty, low residue and low odor formula.	4 GPM: Aqua	1:128
16	2221	PRESPRAY/ SPOTTER	Emulsifies tough soil prior to extraction. Also for spotting.	1 GPM: Orange 1 GPM: Aqua 4 GPM: Tan	1:16 - Spotter 1:32 - Prespray 1:32 - Prespray
17	2222	EXTRACTION RINSE	Mild acid-neutralizing rinse and water softener.	4 GPM: Orange	1:64



ESSENTIAL® Merton, Wisconsin 53056-0012 USA  
Phone: 262.538.1122 • 800.551.9679  
Fax: 262.538.1354 • www.essind.com

# SYSTEM 2000™

## SUPER CONCENTRATE



## DILUTION CONTROL

