

# Two-Button Sink System (EQFSTBWP)



## Package Contents:

- |                                |                                  |
|--------------------------------|----------------------------------|
| 1. Proportioner unit.          | 5. Metering tip kit.             |
| 2. Suction tubing: 1/4" x 14'. | 6. Mounting anchor kit.          |
| 3. Foot valves and weights.    | 7. (2) Black cap quick connects. |
| 4. Discharge tubes.            | 8. 6' water inlet hose.          |

## SAFETY NOTE

- **WEAR** protective clothing and eyewear when dispensing chemicals or other materials.
- **ALWAYS** observe safety and handling instructions of the chemical manufacturers.
- **ALWAYS** direct discharge away from you or other persons or into approved containers.
- **ALWAYS** dispense cleaners and chemicals in accordance with manufacturer's instructions. Exercise CAUTION when maintaining your equipment.
- **CLEAN** equipment after each use in accordance with instruction sheet.
- **WEAR** protective clothing and eyewear when working in the vicinity of all chemicals, filling or emptying equipment or changing metering tips.
- **ALWAYS** re-assemble equipment according to instruction procedures. Be sure all components are firmly screwed or latched into position.
- **ATTACH** only to tap water outlets (85 PSI maximum).

## Installation and Operating Instructions:

1. Hold unit up to wall and drill holes for the wall anchors with a 9/32" drill. Install mounting anchors, and then install screws into top two anchors. Slide key holes at top of dispenser over screw heads. Install bottom two screws through holes in cabinet. Tighten all screws. Do not mount more than 6 ft. (1.8 m) above bottom of concentrate container, nor below the highest concentrate level (never mount concentrate higher than the dispenser). Turn ball valves so they are in a horizontal position (pointing left and right).
2. Metering tips are pre-selected and installed for Liquid Detergent #6139 (red) and Quat Rinse #2331 (Lt. purple). See dilution chart on next page for alternative tip selection.
3. Chemical inlet tubes can be used in one of two ways:
  - a. Foot valve and weight for gallons, pails and other "open" containers.
    - Chemical inlet tubes reach from hose barbs on eductors to bottoms of concentrate containers. Cut tube supplied to lengths required. Slide a weight over one end of each suction tube and slide a foot valve into the same ends of the tubes.
  - b. Black cap quick connects for 2.5-gallon plastic "closed" containers.
    - Suction tubes should reach from hose barbs on eductors to top of concentrate containers. Cut tube supplied to lengths required. Slide black cap quick connect over one end of each suction tube. Note: To ensure prime, we recommend installing dual barb check valves (#EQBIBCHVAKV) between tubes closest to concentrate (see page 3 diagram). Check valves not included.
4. Slip open ends of suction tubes over the hose barbs/metering tips on the eductors (one at each side).
5. Install the discharge tube onto the outlet of the eductor. Be sure metal ring goes over eductor barb. This tube must be in place for the eductor to function. For easier installation, rock the tube back and forth while pushing over the barb.
6. Place foot valve ends of chemical inlet tubes into concentrate containers or connect quick connects to container. REMEMBER TO CHECK FOOT VALVE STRAINER PERIODICALLY FOR CLOGGING: CLEAN IF NECESSARY.
7. Connect water supply hose of at least 1/2" ID to water inlet swivel. (Minimum 25 PSI pressure, with water running, is required for proper operation.) Connect other end of hose to water supply. Turn water supply on.
8. Purge air from the system by opening the ball valves briefly. (Ball valves will be in vertical position -- pointing up and down -- when open.) There may be some water discharge from the eductor vents until the air is purged.
9. Open one ball valve to start flow of desired water/concentrate solution, and run unit until supply tube is primed (filled). Repeat priming operation for other ball valve. Then, open ball valves when dispensing is desired. Close ball valves to stop flow of solution.

## PRODUCT DILUTION CHART

NUMBER	PRODUCT	DILUTION	TIP
6139	Liquid Detergent	1:512 1:256 1:170 1:128	Black Red Aqua Brown
308	Liquid Dish Wash	1:128 1:64	Yellow Green
2331	Quat Rinse	1:512	Lt. Purple

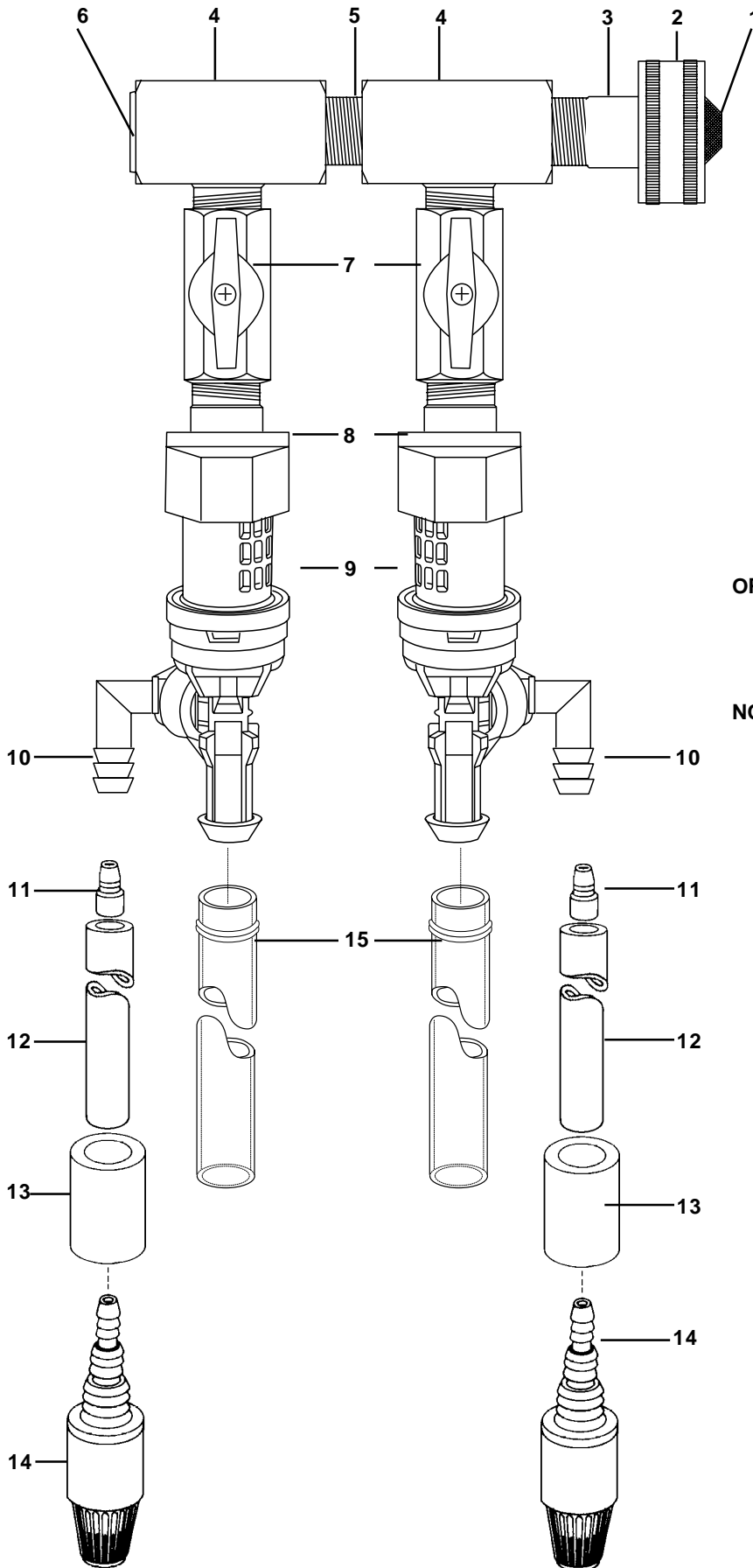
APPROXIMATE DILUTIONS AT 40 PSI FOR WATER-THIN PRODUCTS (1.0 CP)			
Tip Color	Orifice Size	(Std. Drill Number)	Ratio
No Tip	.187	(3/16)	3.5:1
Blue	.040	(60)	24:1
Tan	.035	(65)	30:1
Green	.028	(70)	45:1
Orange	.025	(72)	56:1
Brown	.023	(74)	64:1
Yellow	.020	(76)	90:1
Aqua	.018	(77)	128:1
Red	.015	(78)	170:1
Purple	.014	(79)	180:1
Black	.011	(89)	256:1
Pink	.010	(87)	350:1
Lt. Purple	.009	(89)	460:1

## TROUBLESHOOTING CHART:

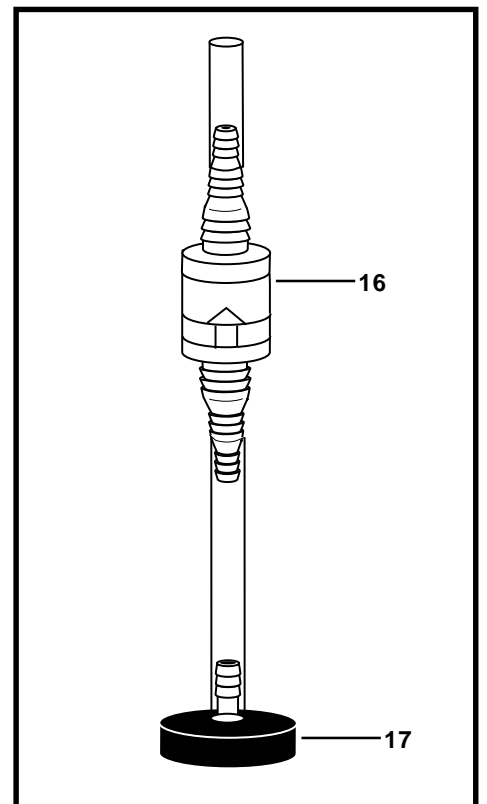
Problem	Cause	Solution
1. No discharge	a. No water	a. Turn on water supply
2. No concentrate draw	a. Clogged foot valve b. Metering tip or eductor has scale build-up c. Low water pressure d. Discharge tube and/or flooding ring not in place e. Concentrate container empty f. Inlet hose barb not screwed into eductor tightly	a. Clean or replace b. Clean (descale) or replace c. Minimum 25 PSI (with water running) required to operate unit properly d. Push tube firmly onto eductor discharge hose barb, or replace tube if it doesn't have a flooding ring e. Replace with full container f. Tighten, but do not overtighten
3. Excess concentrate draw	a. Metering tip not in place	a. Press correct tip firmly into barb on eductor

**NOTE:** In hard water areas, scale may form inside the discharge end of the eductor, as well as in other areas of the unit that are exposed to water. This scale may be removed by soaking the eductor in a descaling solution (deliming solution). To remove an eductor located in the cabinet, unthread it. Alternatively, a scaled eductor can be cleaned (or kept from scaling) by drawing the descaling solution through the unit. Operate the unit with the suction tube in the descaling solution. Operate the unit until solution is drawn consistently, then flush the unit by drawing clear water through it for a minute. Replace concentrate container and put suction tube into concentrate.

**Two Button Sink Proportioner parts Diagram List:**



Key	Part No.	Description
1	238100	Strainer washer
2	506502	Swivel nut
3	276800	Swivel stem
4	133000	Branch tee
5	10027700	3/8" nipple
6	10075925	Pipe plug
7	10080320	Ball valve
8	10064652	3/8" x MGH fitting, sealed
9	291	3.5 GPM E-Gap Educator Assy.
10	10077500	90° Angle hose barb
11	90078702	Metering tip (kit)
	10067611	Red tip
	10027001	Light purple tip
12	500814	Chemical inlet tubing, 1/4" x 14'
13	509900	Weight
14	10076301	Foot valve
15	10077310	Outer discharge tube
<b>OPTIONAL:</b>		
16	10076303	Dual barb check valve (Not included)
17	EQFSJUGFIT	Black cap quick connect (2 Included)
<b>NOT SHOWN:</b>		
	10080301	Bracket/cover
	324900	6' water inlet hose





Merton, Wisconsin 53056-0012 • USA  
[www.essind.com](http://www.essind.com)

SP4754  
90078743 Rev. B  
2/02